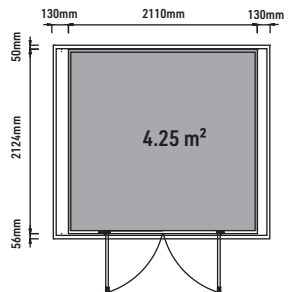
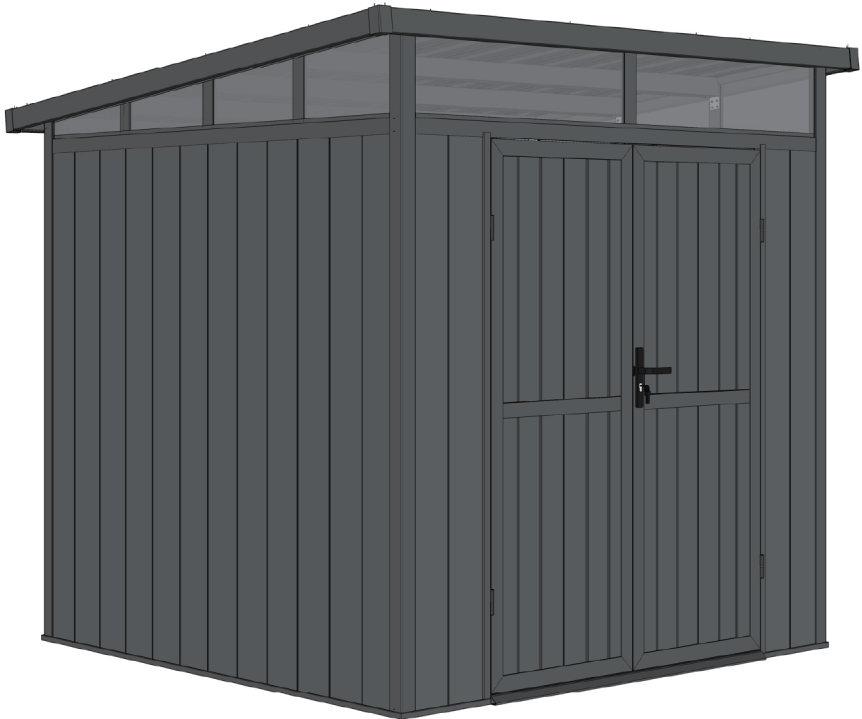


7x7

Installation Guide



RECOMMENDATIONS

Please read the components list BEFORE assembly, make sure that no parts are damaged or missing.

Read through the complete assembly instructions again.

Assemble all parts according to the instructions in this manual and do not skip any step.

Treat the wall panels with extreme care before and during assembly. Carefully place them on the ground.

Avoid stepping on or placing any objects on it.

At least two people are required to assemble the garden sheds.

Recommendation: Build a base of wood/composite or concrete as a foundation.

Leave enough space at the installation site outside of the WPC shed so that you can access the WPC Garden sheds from the outside during assembly.

Remove all parts from the packaging and spread them out on a clean work surface by Area I/II and III.

Due to the high proportion of wood, the surface may have different shades and change color over time. This does not require special treatment, nor does it affect the life of the WPC Garden sheds.

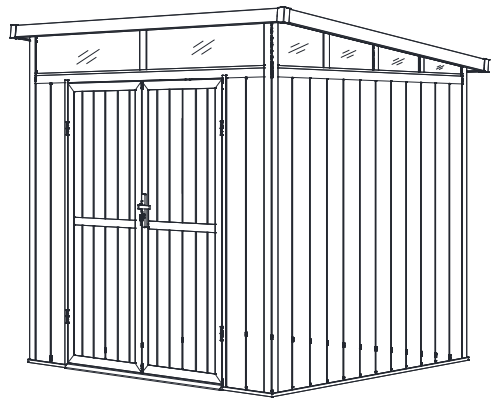
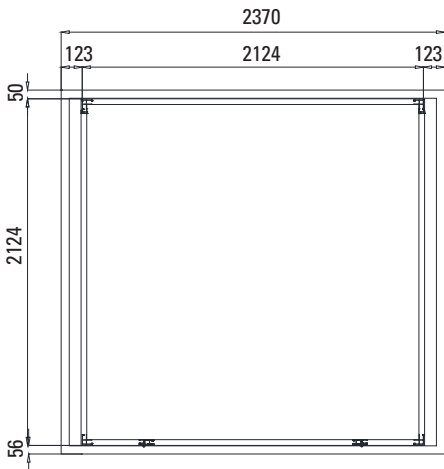
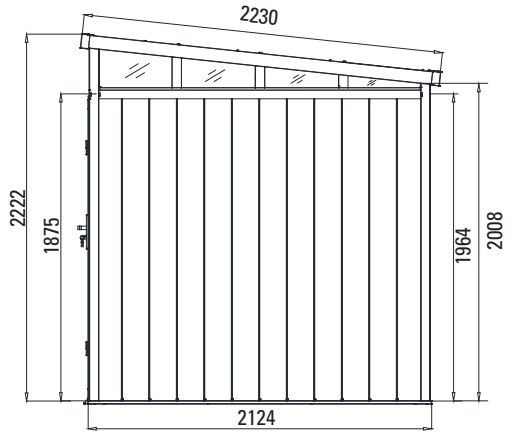
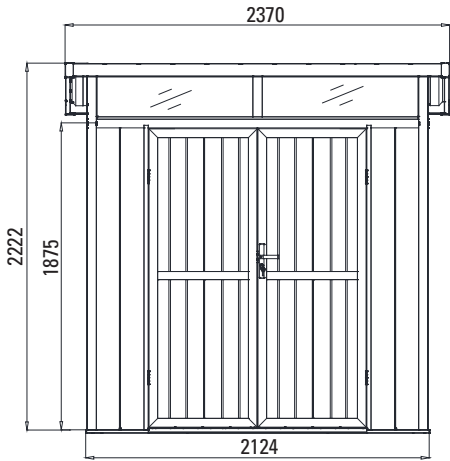
If you want to paint the WPC shed, please ask a professional painter for advice on choosing the right colors for the wood-plastic composite material.

Do not use aggressive cleaning agents as they can stain or damage the WPC shed.

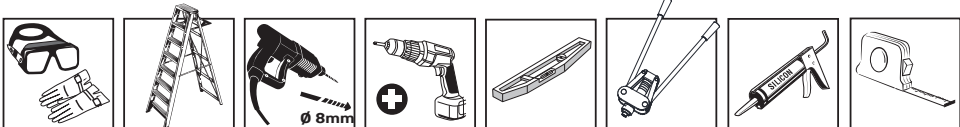
CARE AND SAFETY INSTRUCTIONS














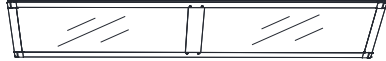
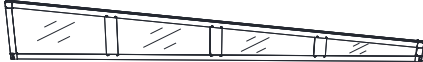
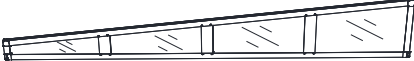

- ❗ The garden shed is generally used for storing objects. The WPC shed is not especially designed for residential purposes.
- ❗ It is recommended to anchor the WPC shed on an immovable object or foundation (it will serve as storm protection).
- ❗ Do not set up on a windy or cold day.
- ❗ Check the WPC shed regularly for stability and make sure that the location is level.
- ❗ Be careful when handling parts with steel edges.
- ❗ For the construction and handling of the WPC shed, please only use tools that are listed in the assembly instructions.
- ❗ Always wear work gloves, safety glasses and any other kind of clothing with long sleeves when assembling the garden shed or performing any kind of maintenance work.
- ❗ Avoid using lawnmowers and mechanical scythe in the immediate vicinity of the WPC shed.
- ❗ Always wear safety goggles and always follow the manufacturer's instructions when using power tools.
- ❗ Clean the WPC shed with a garden hose and a mild detergent. You can use a hard brush but do not use any abrasive or degreasing agents, as well as cleaning agents containing oil or acetone, as these can stain or damage the product.
- ❗ Do not store any hot objects in the WPC shed, such as recently used grills or blowtorches, or any volatile chemicals.
- ❗ Do not lean heavy objects against the walls of the WPC shed, as this could distort the entire WPC shed.
- ❗ Keep the roof free of snow and accumulated foliage. Large amounts of snow can damage the WPC shed and make it dangerous for entering.
- ❗ Make sure there is sufficient ventilation at the WPC shed. This way you avoid moisture.
- ❗ Cover the roof of the WPC shed with a tight roof covering. Pay attention to the roof slope. A self-adhesive sealing membrane is best suited.
- ❗ The wind direction is an important factor that must be taken into account when setting up the WPC shed. Try to avoid placing it anywhere where there could be excessive wind loads, especially high wind pressure on the doors. Always keep the doors closed and locked when the WPC shed is not in use to avoid any kind of wind damage.
- ❗ Please contact your local authorities to inquire if a permit is required to build the WPC shed.

















Garden Shed Three-view Drawing



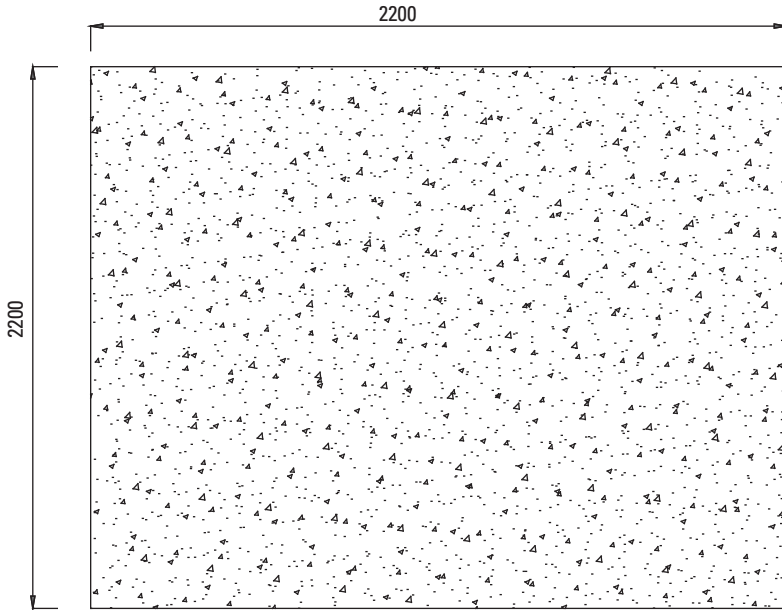
Tools Required for Installation



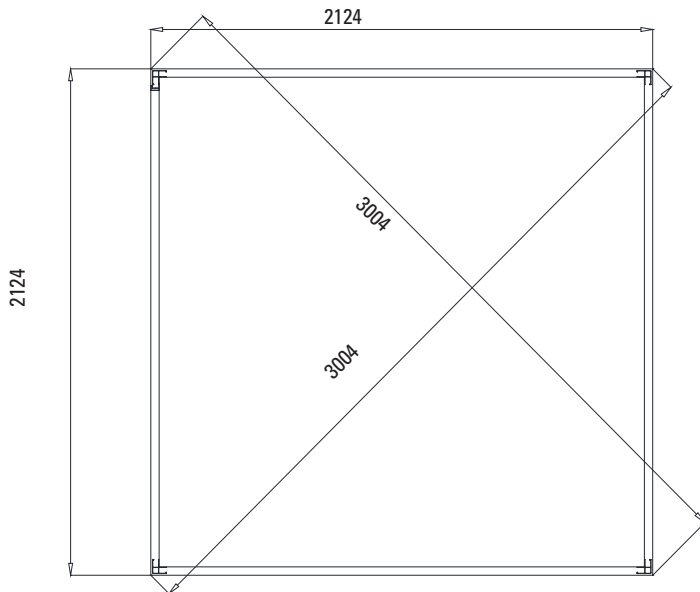
No	Structure	Description	QTY	Code
1		Aluminum Bottom Frame (Front & Rear) 35x20 L=2124mm	4	M0707 35.2-30-2124
2		Aluminum Column (Left Front) 59x59 L=2222mm	1	Left front column M0707 59-59-2222
3		Aluminum Column (Right Front) 59x59 L=2222mm	1	Right front column M0707 59-59-2222
4		Aluminum Column (Left Rear) 59x59 L=2008mm	1	Left rear column M09707 59-59-2008
5		Aluminum Column (Right Rear) 59x59 L=2008mm	1	Right rear column M0707 59-59-2008
6		Aluminum Threshold 59x30 L=1350mm	1	M0707 59.3-30-1350
7		Aluminum Door Frame (Left) 30x27 L=1875mm	1	Left front column M0707 30-26.9-1875
8		Aluminum Door Frame (Right) 30x27 L=1875mm	1	Right front column M0707 30-26.9-1875
9		Aluminum H-shaped Beam 53x24 L=2048mm	4	M0707 53-23.9-2048
10		Aluminum Verge Board (Front & Rear A) 80x45 L=1185mm	2	M0707 80-45-1185-A
11		Aluminum Verge Board (Front & Rear A) 80x45 L=1185mm	2	M0707 80-45-1185-B
12		Aluminum Verge Board (Left & Right) 80x45 L=2230mm	2	M0707 80-45-2230
13		Aluminum Beam 72x50 L=2065mm	3	M0707 72-50-2065
14		Window (Front) 2046X322	1	M0707 2046-322
15		Window (Left Side) 2045X321X107	1	M0707 1996-322
16		Window (Right Side) 2045X321X107	1	M0707 1996-322
17		Color Steel Tile 840X2230	3	

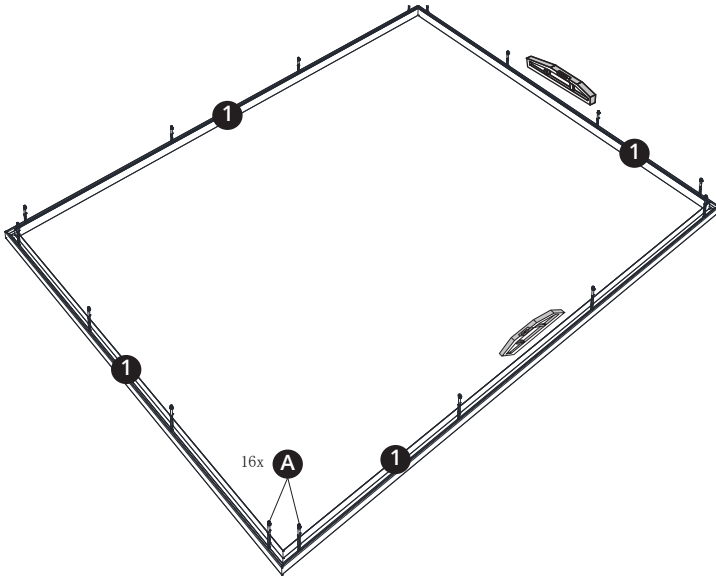
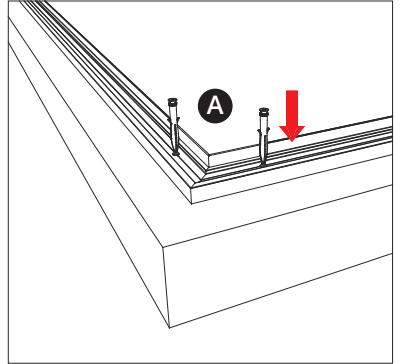
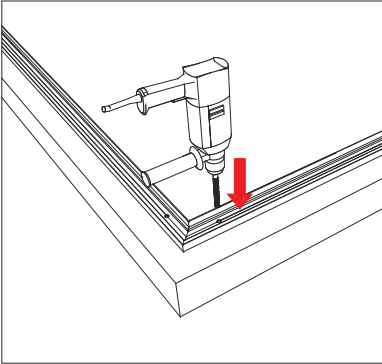
No	Structure	Description	QTY	Code
18		Double Door 1350X1830	1	
19	 	WPC Plank Wall 170x20 L=1875	28	
20	 	WPC Plank Wall 170x20 L=1964	12	
A		Screws 8X80	18	
B		Screws 4X16	220	
C		Rivet 4X10	80	
D		Connector 50X50	6	
E		Screws 5X20	12	
F		Screws 5X45	45	
G		Screws 5X60	12	
H		Latch	2	
I		Hinge	4	
J		Plastic Cap for Aluminum Verge Board	4	
K		Door Lock Kit	1	

Garden shed should be installed on the hard ground like concrete foundation, the surface of ground should be flat and the size should follow the dimension of drawing.

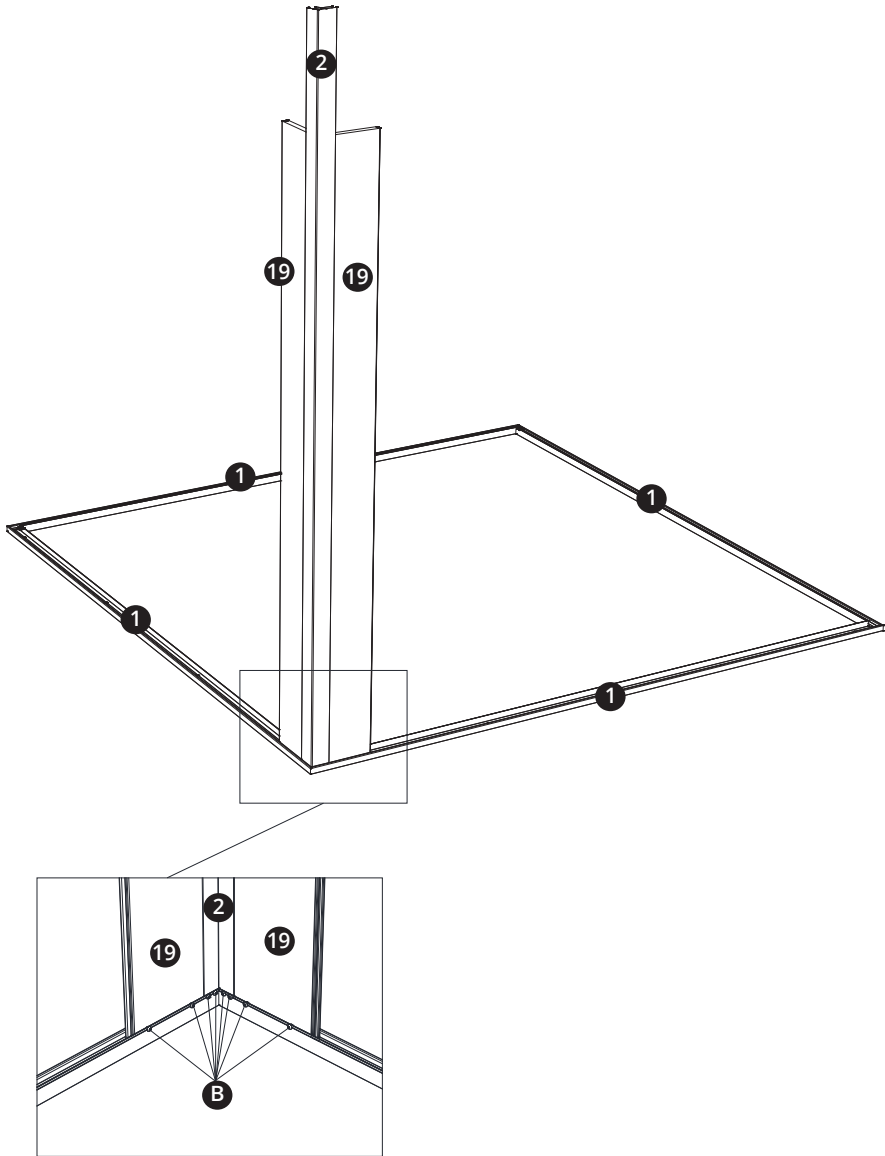


Bottom Beam Dimension Drawing.



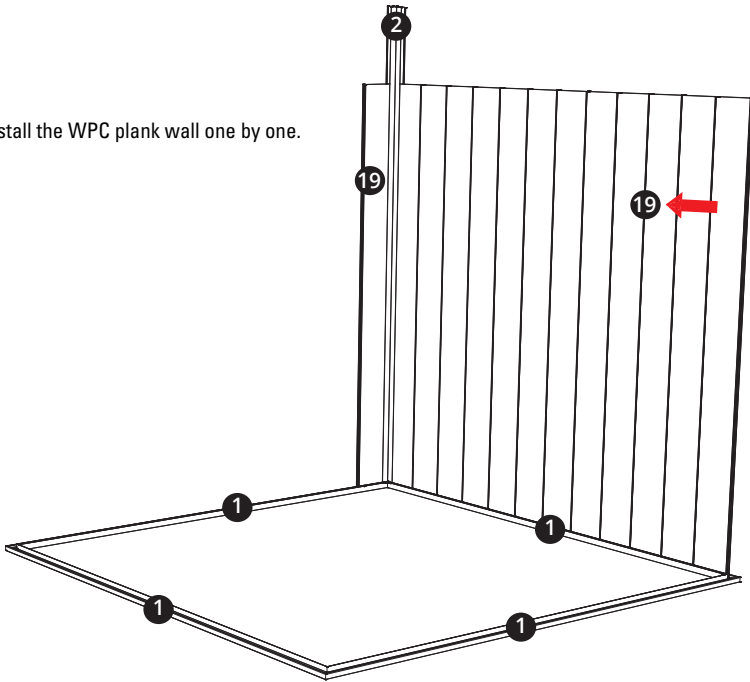


Install aluminum bottom frames according to dimensions and positions as the sketch map shown above, then fix them with plastic expansion bolts. Please make sure the leveling of the bottom frames.

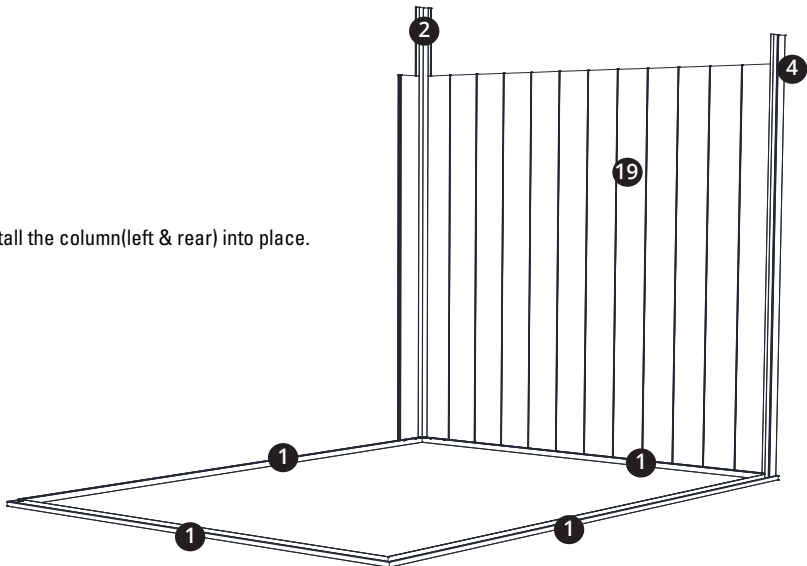


Install the shed from the front side, please insert column(left & front) and WPC plank wall into the groove of aluminum bottom frames, then fasten column and planks with screws. Two operators are required for this step, one needs to hold the column so as to avoid any broken caused by tilt. (We suggest to install garden shed under the calm weather, and more operators are needed if install under windy weather.)

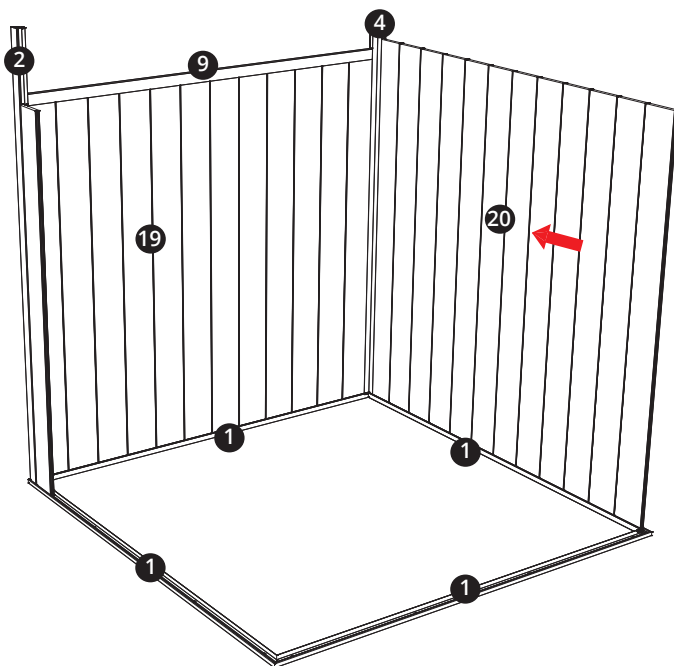
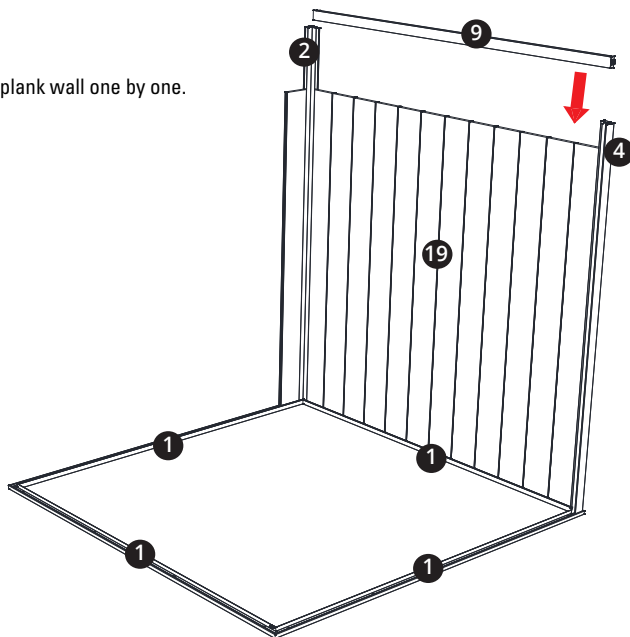
Install the WPC plank wall one by one.



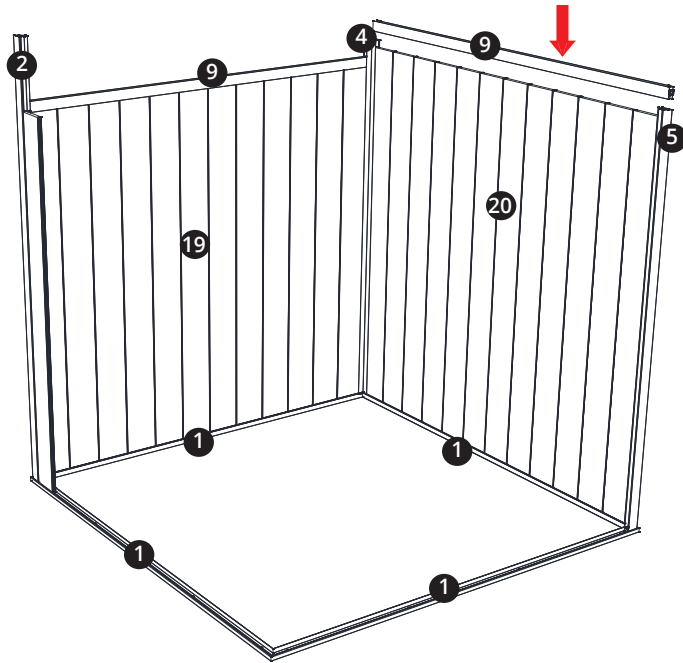
Install the column(left & rear) into place.



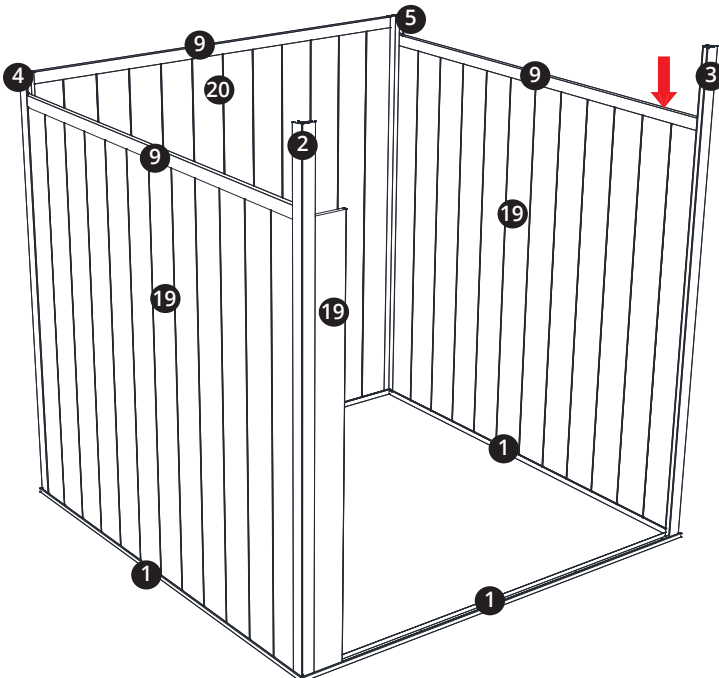
Install the WPC plank wall one by one.



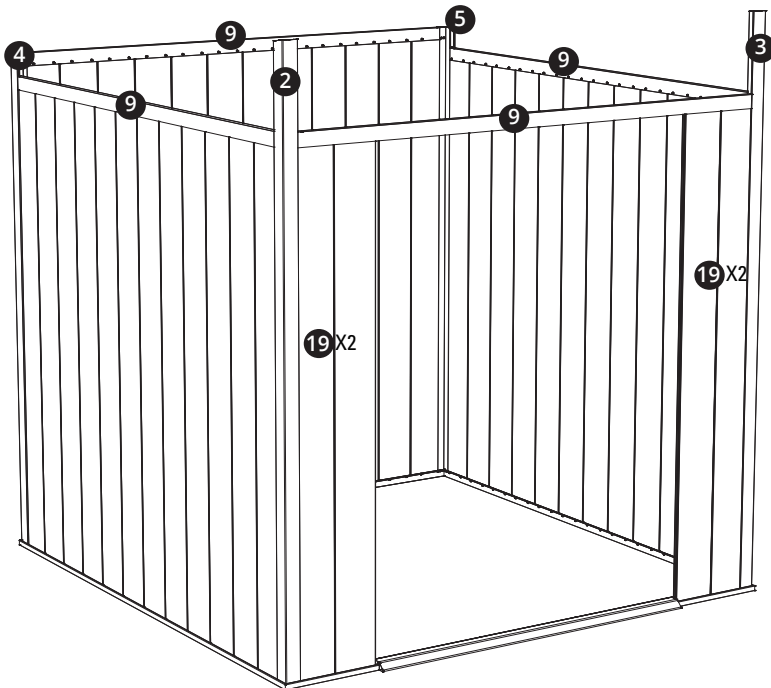
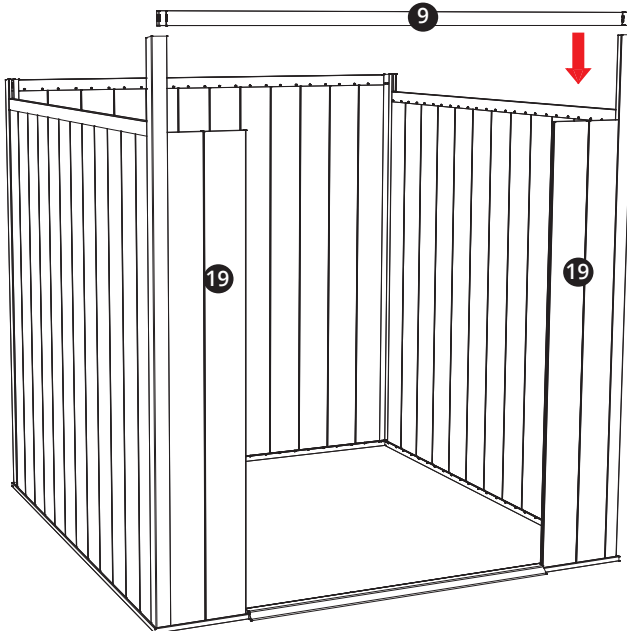
Insert the aluminum H-shaped beam(left/right) into the column, then install WPC plank wall into the place one by one.



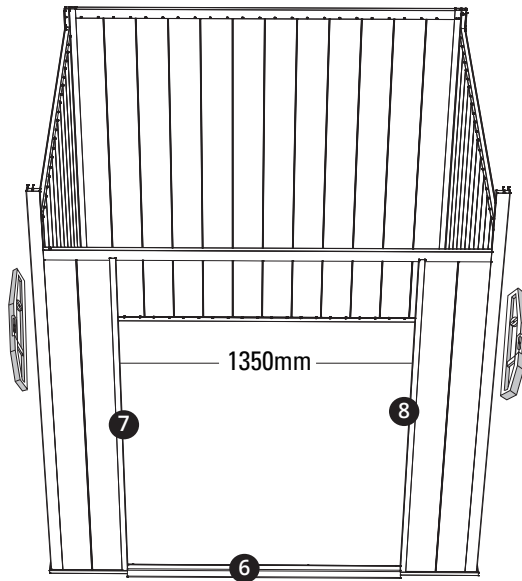
Install the aluminum column(right & rear) into the place, then insert the aluminum H-shaped beam(rear) into the column.



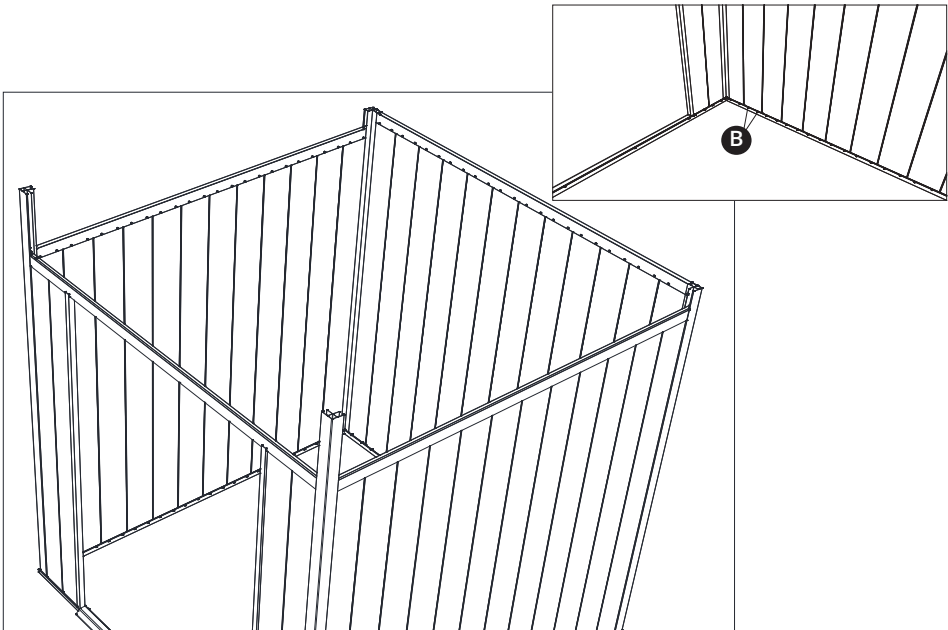
Install the aluminum column(right & front) into the place, then insert the aluminum H-shaped beam(left/right) into the column.



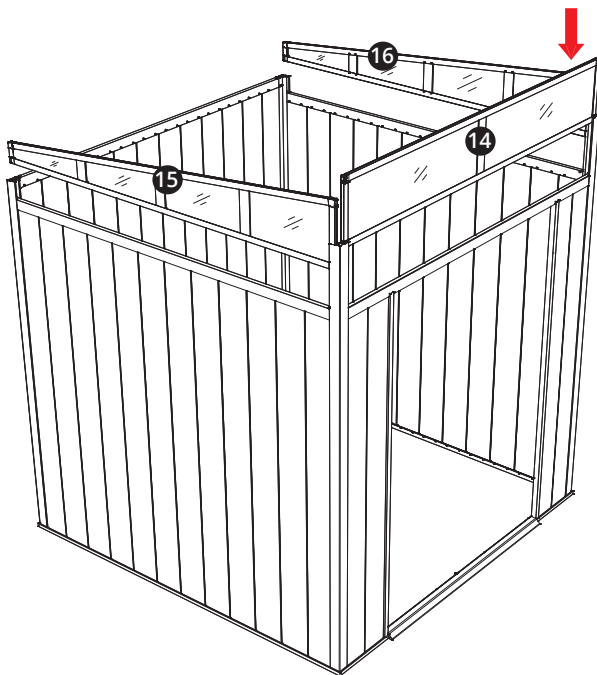
Install front WPC plank wall and aluminum H-shaped beam(front) into the place.



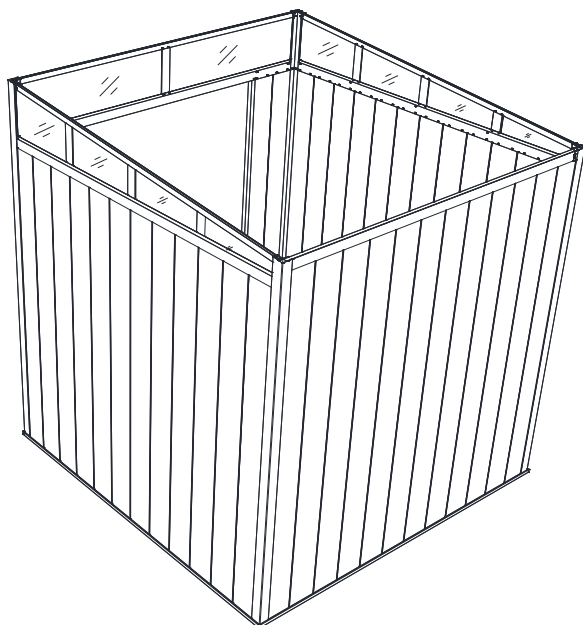
Insert the left and right aluminum door frames into the position, then install the aluminum threshold, and adjust perpendicularity and dimension between the two frames shown as the above sketch map.



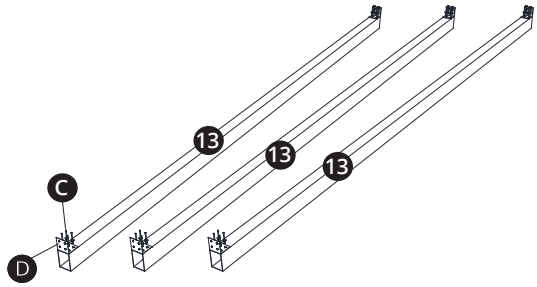
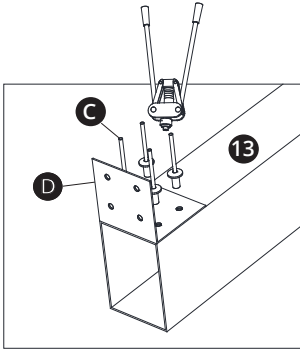
After adjustment, please fix WPC plank wall, aluminum bottom frame and aluminum H-shaped beam with screws, two screws are required in the connection of every WPC plank wall and beams.



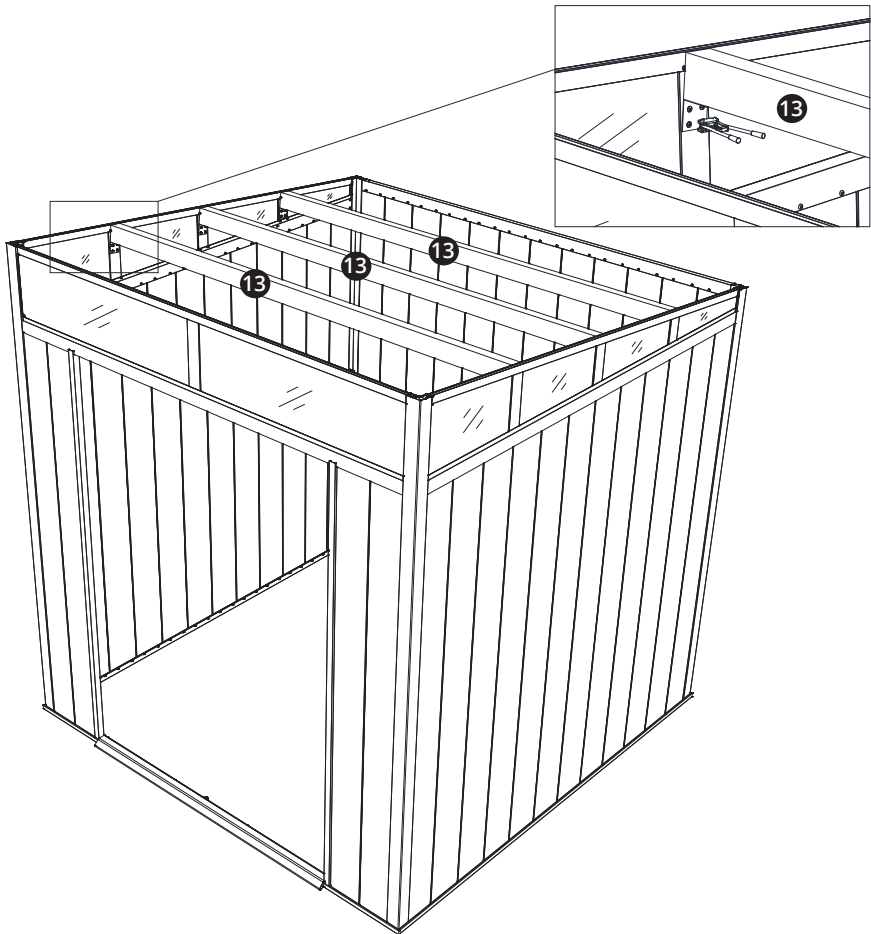
Install window into the place. (Please note different sides of window, the side with rivets should be toward the inside)



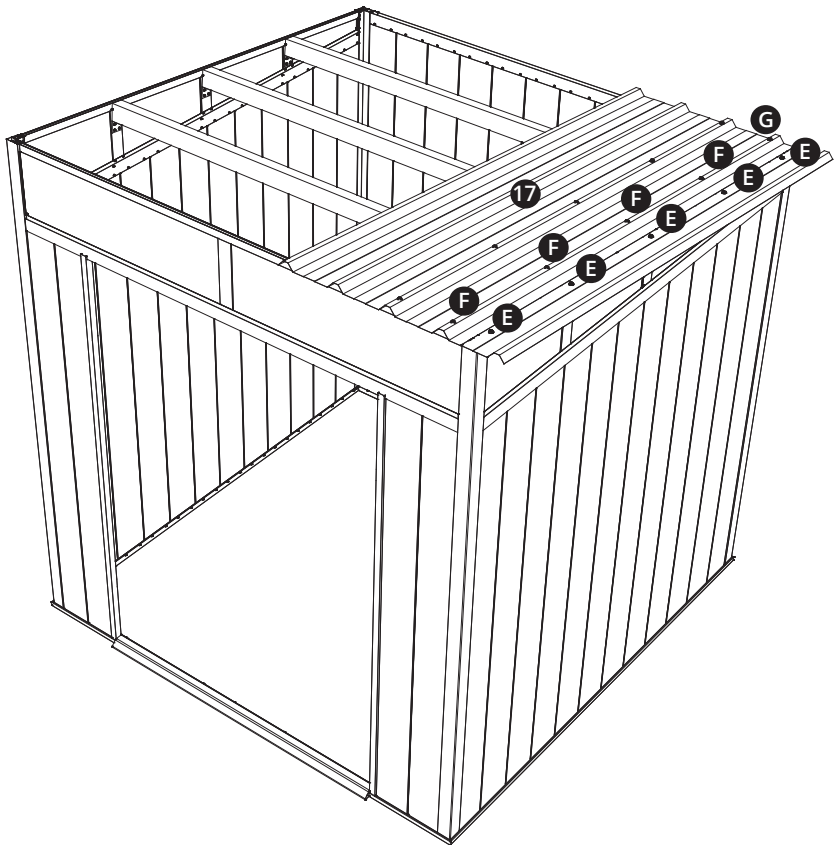
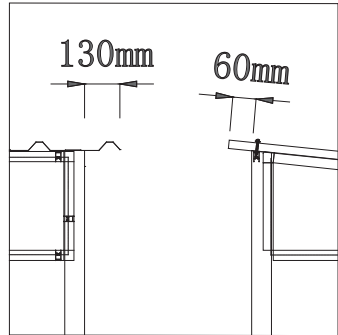
Fasten the window with columns and H-shaped beams by using screws.



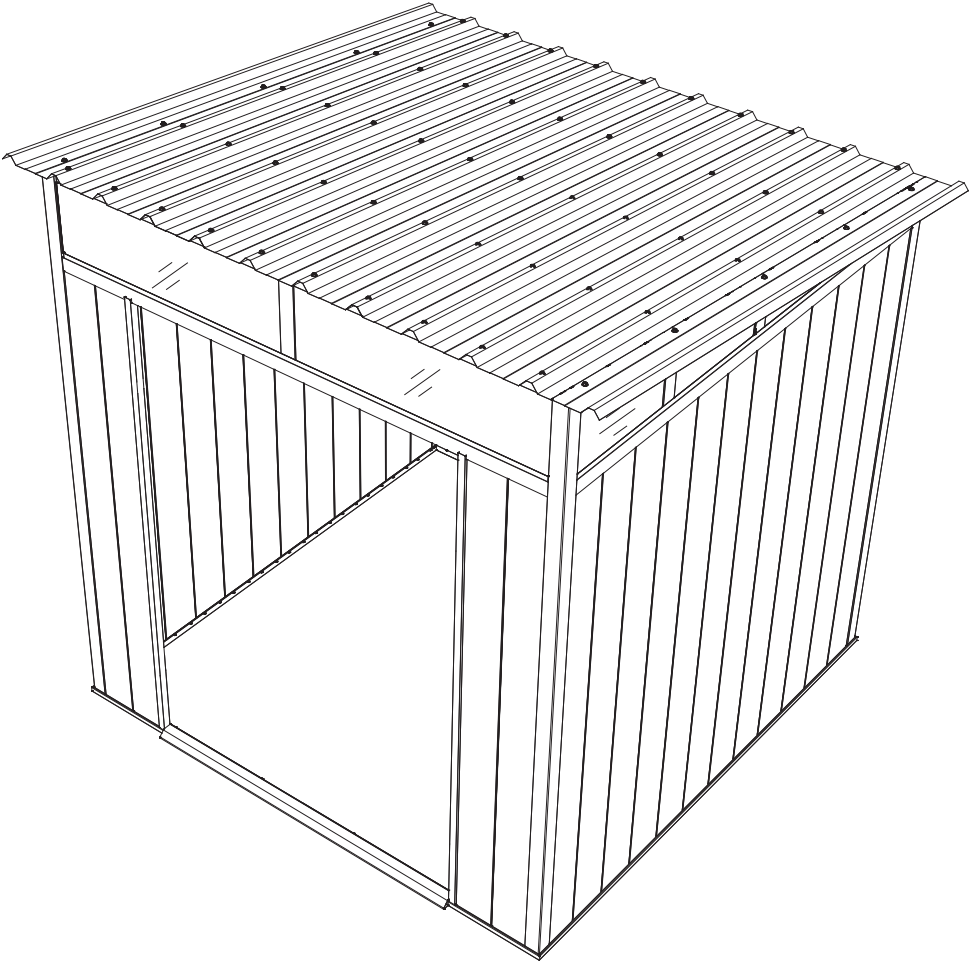
Connect the aluminum beams with L brackets by applying rivets in advance.



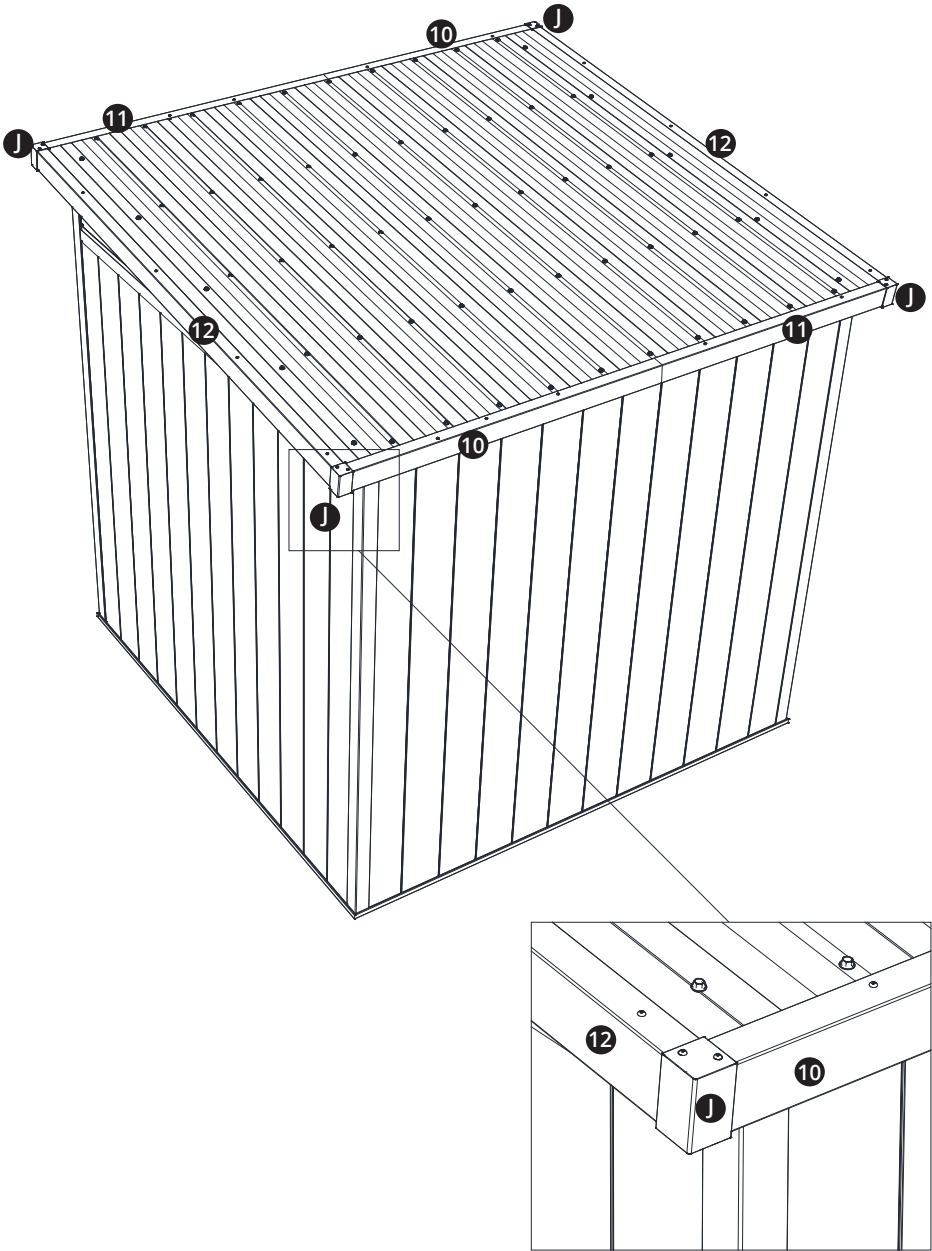
Connect the aluminum beams with window (left & right side) by using rivets.



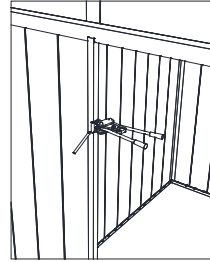
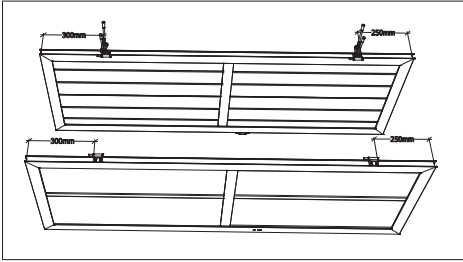
Install the color steel tile, the extension length of roof tile should be 60mm in the shed's front side, while the left and right side should be 130mm. Please note that the length of screws for roof tiles fixing is different from those for the connection with aluminum beams.



Install roof tiles one by one, please pay attention to the connection method shown as the above sketch map.

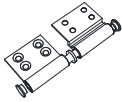


Install all aluminum verge boards in line with the diagram as above.

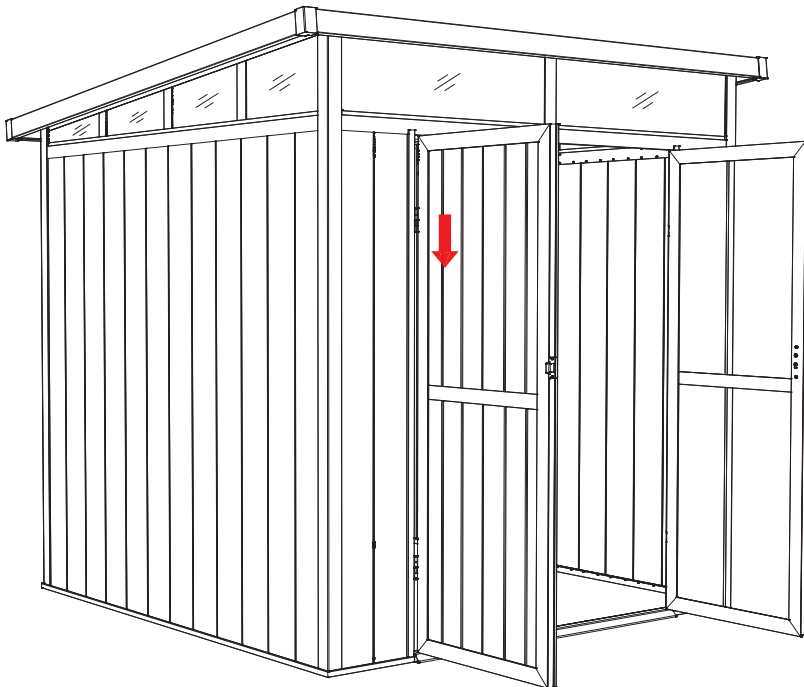


Please install the door with following steps:

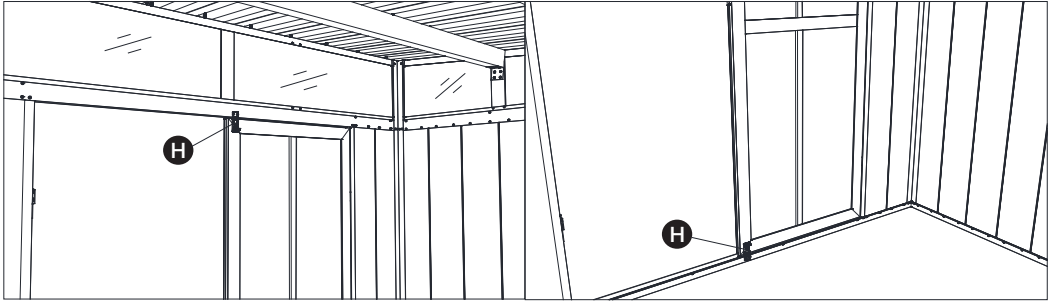
- Assemble the hinge on the door with rivets(see diagram above);
- Place the door in the position where needs to install it;
- Put a subplate with a thickness of 5mm under the door;
- Insert the other side of hinge into the place, and mark the position with a pencil;
- Remove the door, then fix hinges with rivets.



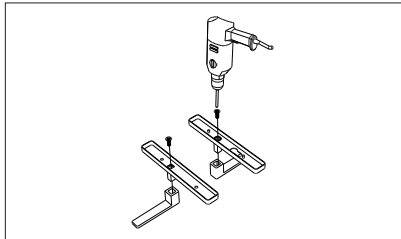
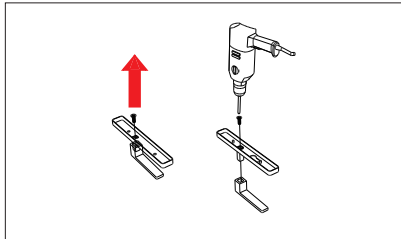
This type of hinge fits both left and right sides, you can remove the axis pin to adjust the left or right in accordance with actual requirement, please press the cap tightly on both ends after the installation.



After fix the hinge, hang the door in the knuckles from the top downwards.



Install the latch of door.



1. For better delivery, we've fixed the screws when packing, so the door handle cannot be used as default when you unpack it firstly.
2. Please unscrew the screw(see picture above) firstly, then rotate the handle by 90°(clockwise or anti-clockwise as your requirement), and tighten the screw.