



TOP QUALITY

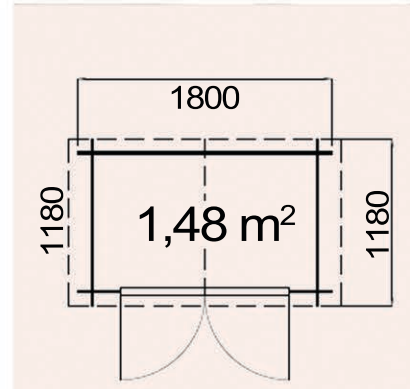


ATTENTION TO DEADLINES

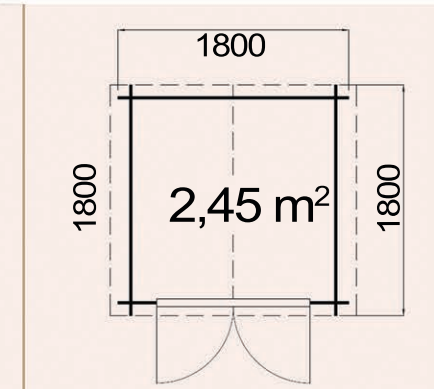


DETAIL MANUALS

# MINI G



A



B



A	G1812(28)	28 mm	1564 x 944	1879	2145	90	18° / 2,4m <sup>2</sup>	—	—	1200 x 1815	—	2100 x 1200 x 420	220 kg.
B	G1818(28)	28 mm	1564 x 1564	1879	2145	90	18° / 3,6m <sup>2</sup>	—	—	1200 x 1815	—	2100 x 1200 x 420	260 kg.